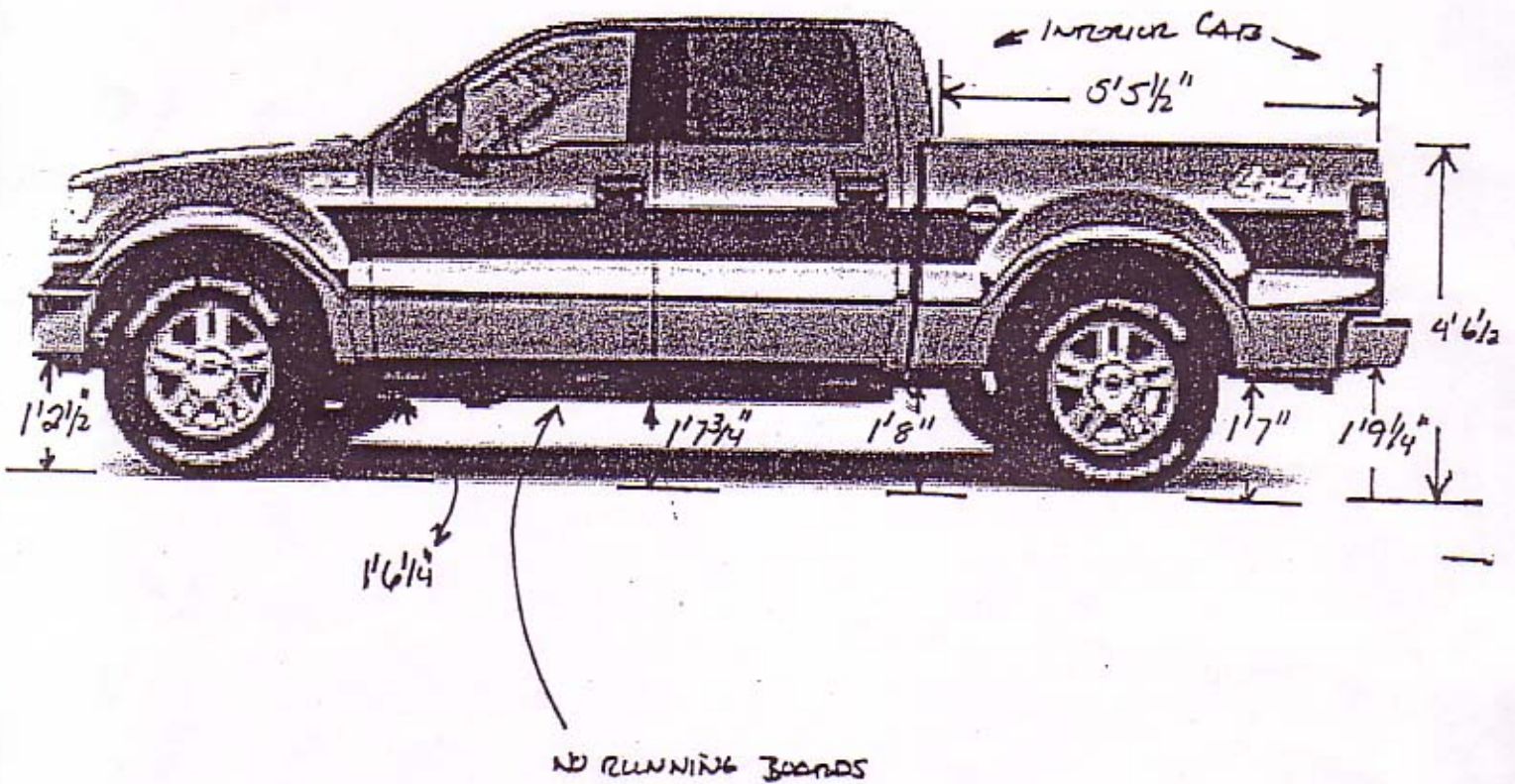


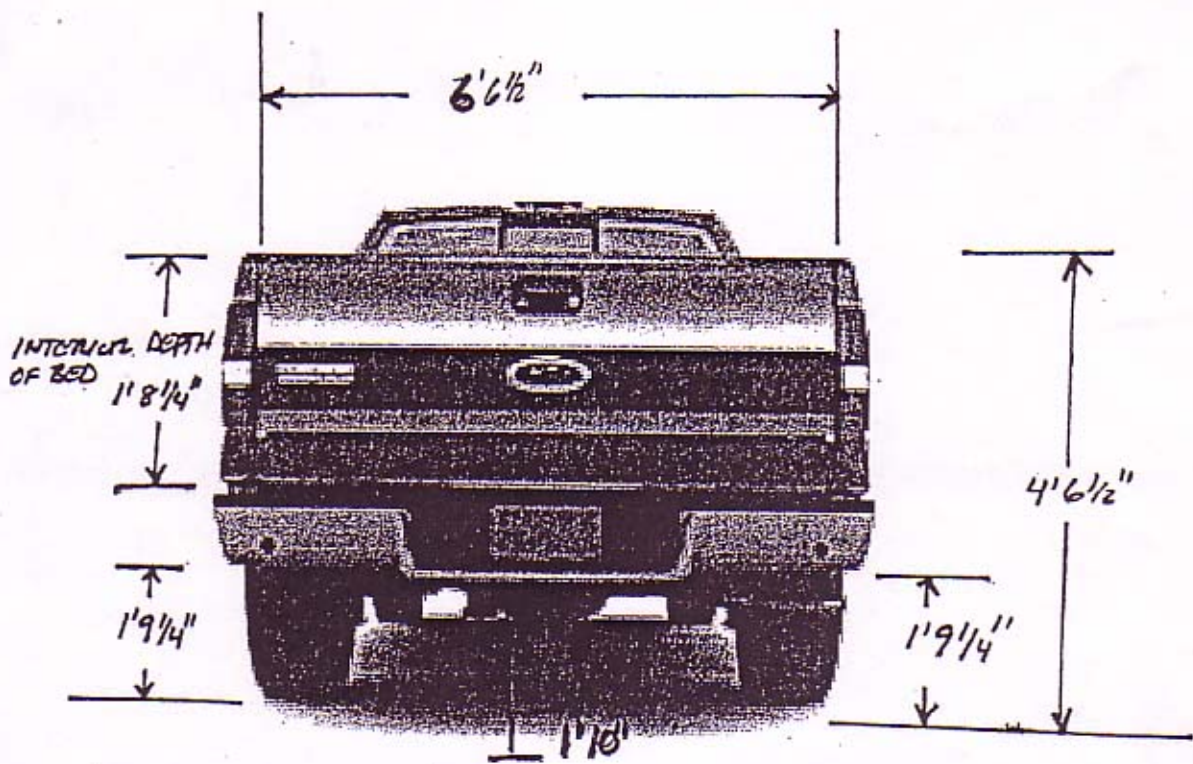
25843



DEFENDANT'S
EXHIBIT
D74-1
SC55500A
PENAGAD 800-633-6988
Admin 9/24

033682

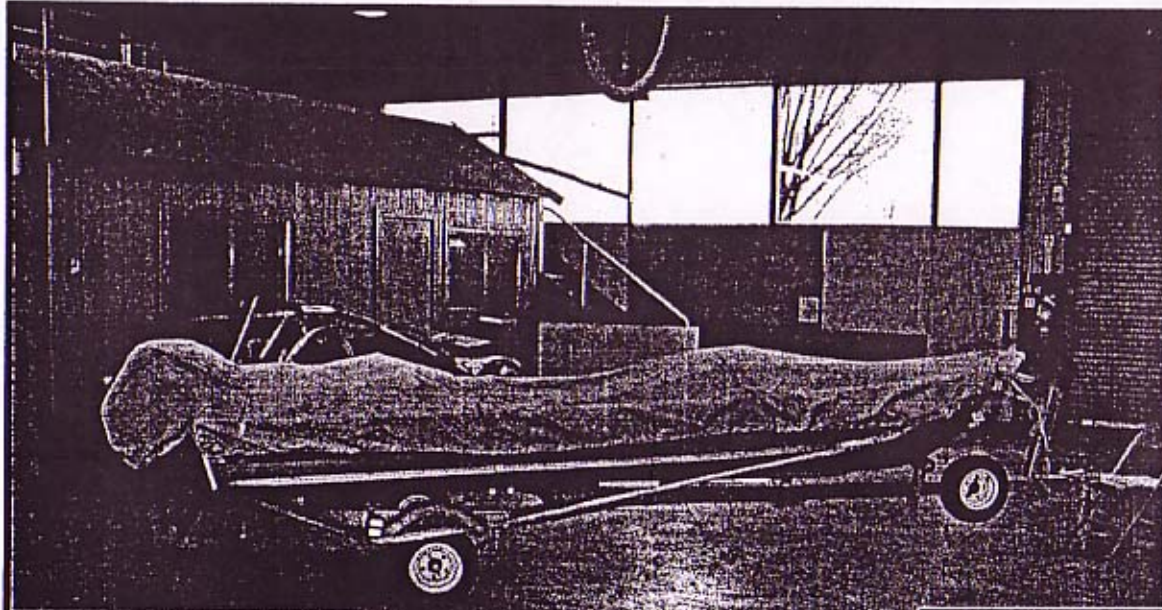
25844



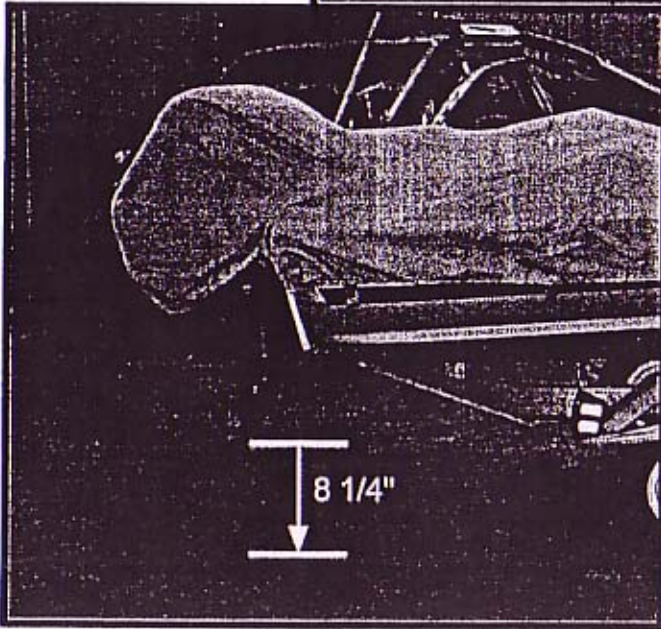
GROUND TO HEIGHT $1'5\frac{1}{8}"$

033683

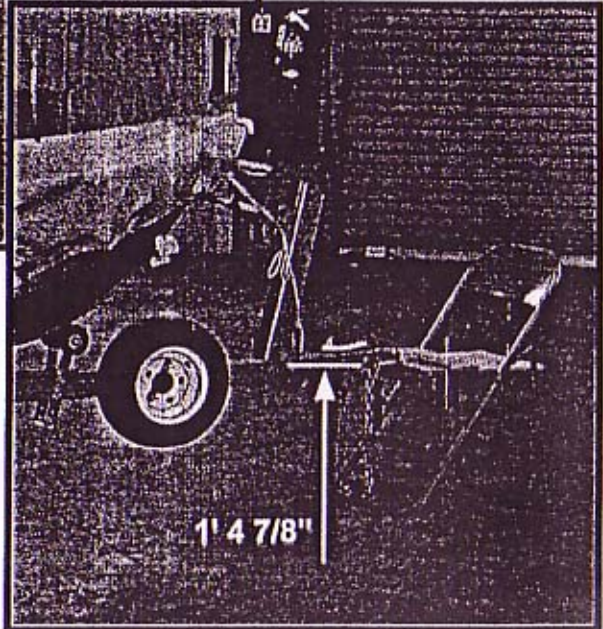
Scott Peterson's Boat
 1991 14' Gamefisher, Model # 61354S, Serial # SEA86707G191



26568



8 1/4"



1' 4 7/8"

Incident #: Modesto Police Department Case # 02-142591	
Address: Modesto Police Department Evidence Annex	
Page 6 of 6	Not drawn to scale
Created: 02/06/04	
Drawn By: Det. Dodge Herndee	

DEFENDANT'S EXHIBIT
 D74-2
 SC55500A

02-142591